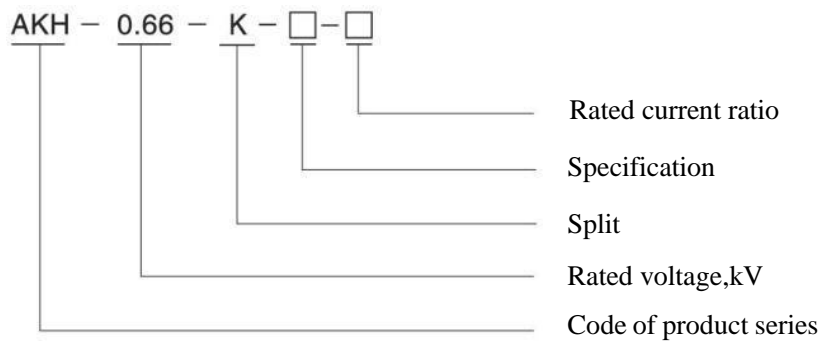


## AKH-0.66/K- $\Phi$ split current transformer

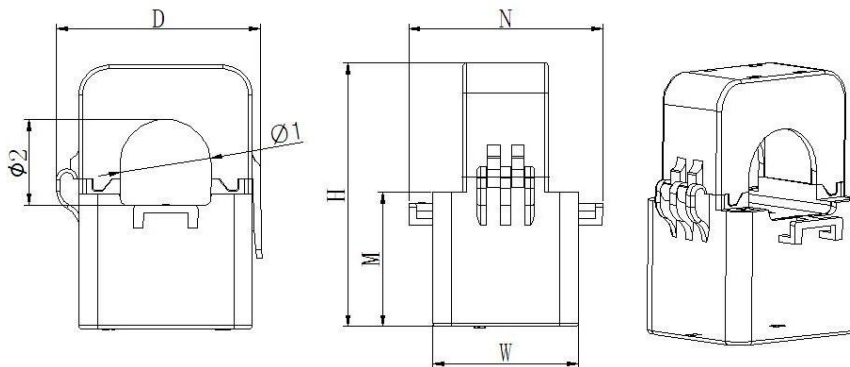
### 1. Product feature

The appearance is nice and the installation and wiring are convenient. AKH-0.66/K- $\Phi$  series split current transformers are mainly used in reconstructing projects of urban and rural power grids. Product has the advantages of small size, high accuracy, strong load capacity, easy installation, etc. They save the manpower, material resources and financial resources and improve the efficiency of users.

### 2. Explanation for type



### 3. Spec. and size



The transformers' secondary outlet wire is RV lead, whose standard length is 2m(±10cm error allowed)

Type	Size (mm)	Outline size				Through size		Tolerance	
		W	H	D	M	N	Φ1		Φ2
K- $\Phi$ 10		27	40	26	24	36	10	9	±1
K- $\Phi$ 16		31	50	29	28	42	16	17	
K- $\Phi$ 24		39	71	46	36	52	24	23.5	
K- $\Phi$ 36		42.5	82	58	40	56	33.5	35	
K- $\Phi$ 50		46.5	110	90	54	66.5	47	52	

4. Cross-reference tables of spec. –parameter

Specification	Rated current ratio (A)	Precision degree	Straight-through tums	Max. cable outer diameter (mm)
		0.5		
K-Φ10	5A/1.25mA	10	1	Φ10
	(10-20)A/5mA	10		
	(40-60)A/20mA	10		
K-Φ16	(20-50)A/10mA	10		Φ16
	(40-100)A/20mA	10		
	100A/40mA	10		
K-Φ24	(60-200)A/20mA	10		Φ24
	(100-250)A/40mA	10		
	400A/100mA	10		
K-Φ36	(100-200)A/10mA	10		Φ36
	(200-400)A/20mA	10		
	(300-600)A/100mA	10		
	400A/40mA	10		
	600A/75mA	10		
K-Φ50	(600-800)A/100mA	10	Φ50	



5. Technical indicators

- Rated operation voltage AC 0.66kV
- Rated frequency 50-60Hz
- Ambient air temperature -30°C-70°C
- Height above sea level ≤3000m
- Power frequency withstand voltage 3000v/1min 50Hz
- Used in place without direct rain and snow, without severe pollution and acute shock

6. Installation

